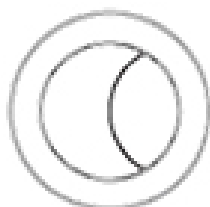
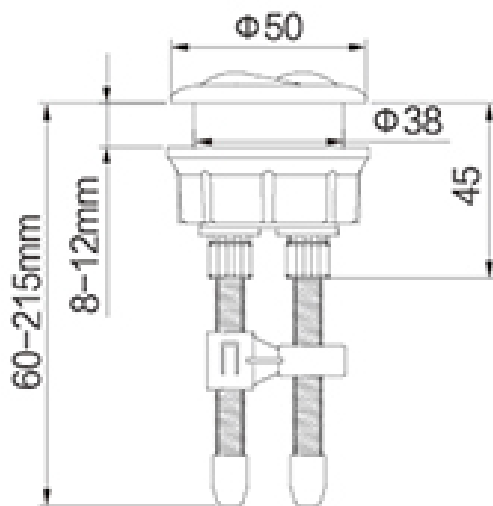




Brand : WDI, China
Name : "I" Fill Valve
Item Code : B5039 GASV1

Designer :
Color / Finish: N/A
Dimensions : Ø38 mm

- Product info:
- Dual flush button
 - For operating dual flush valve



Flushing of pipe must be done before fittings are installed. Failure to do so voids the warranty.
Follow cleaning instructions and avoid using any harmful chemicals.
All information is for reference only. Installation shall always be based on the specs provided with actual delivered items.
For more info, visit www.sanitecph.com